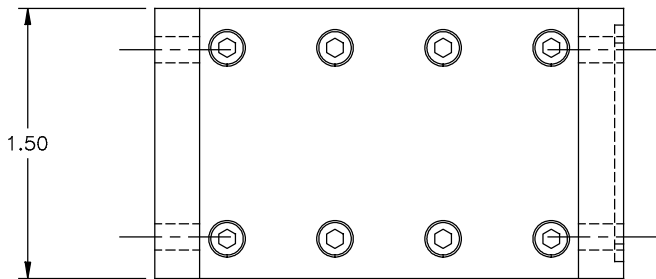


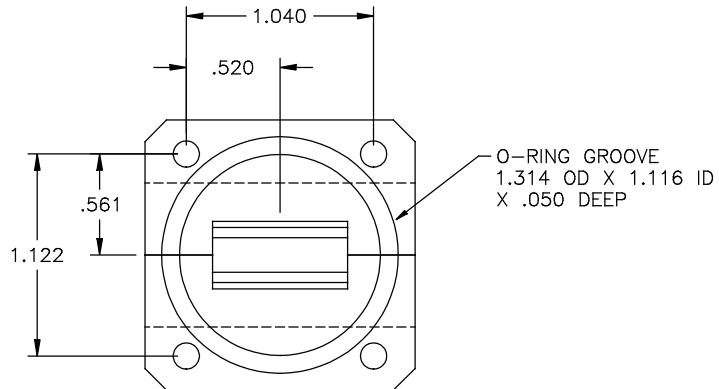
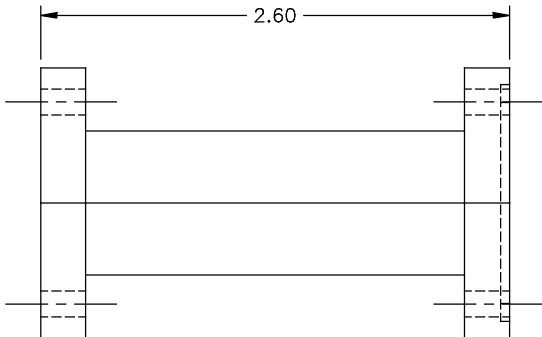
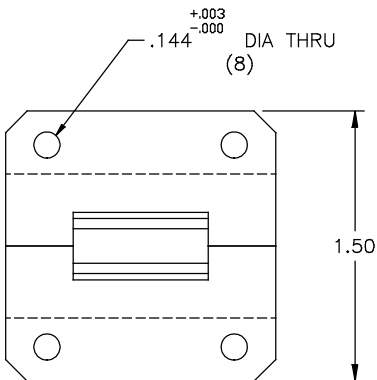
THIS DRAWING DESCRIBES TRADE SECRETS
AND IS THE EXCLUSIVE PROPERTY OF
MICROWAVE FILTER CO., INC.

REVISION			
LTR	EGN	DATE	APPR'D
A	4321	5/12	PMB
B	4322	5/12	PMB



SPECIFICATIONS

PASSBAND: 10.70-11.75 GHz
 PASSBAND LOSS: 0.15 dB TYP
 PASSBAND V.S.W.R.: 1.2:1 TYP
 REJECTION: 85 dB MIN FROM 12.75-13.25 GHz
 FLANGES: WR75 GROOVED
 WR75 COVER



ENVELOPE DRAWING

UNLESS SPECIFIED
ALL TOLERANCES $\pm .020$

MFC MICROWAVE FILTER CO. INC. 6743 KROME ST. E. SYRACUSE, N.Y. 13207		FSCM27834	
DATE 4/25/12	TITLE		
DWN BY MW	BANDSTOP FILTER		
ENGINEER B.G.	SIZE B	DRAWING NO. 17833-1	REV B